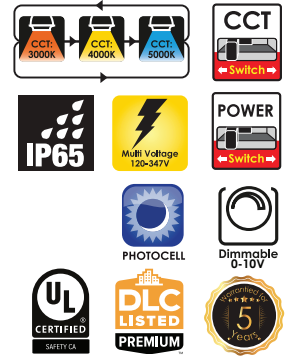


Project : \_\_\_\_\_  
 Type : \_\_\_\_\_  
 Drawn by : \_\_\_\_\_  
 Catalogue No. : \_\_\_\_\_  
 Date : \_\_\_\_\_



### OPTIONS:



Photocell Sensor

## Specifications

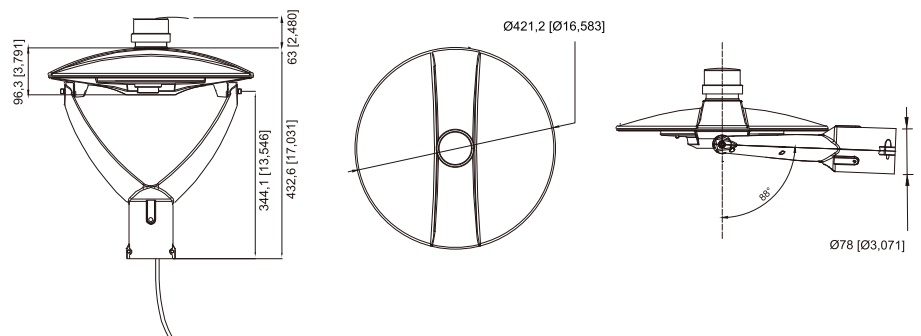
Model No.		YR-TP421-W60/80/100-MTCP-P-S-HV(30/40/50K)
General	Watts	60W /80W/ 100W Adjustable
	Lumen	7800-13000LM
	Base	3" Pole
	CCT	3000K/4000K/5000K ADJ
	Volts	120-347V
	CRI	>70
	Beam Angel	140 degree
	Hours Rated	50,000 hours
Electrical	Operating Frequency	50-60Hz
	Power Factor	>0.9
	Surge Protection	Built-in surge protection-5KV
	Operating Temperature	-40°C t(-40°F) TO 45°C(113°F)
Physical	LED Type	SMD2835
	LED QTY	280PCS
	Housing	Die Casting Aluminum
	Lens Material	Plastic
	Housing Color	Black
	Weight (Kg)	6.15
Additional Information	Ik rating	IK10
	Function	Photocell
	Additional Info	CCT+Power adjustable
	Rated For Enclosed Fixture	Yes
Compliance	Warranty	5 years
	Safety Listing	cULus-Listed
	Location Rating	Damp
	DLC Approved	Yes
DLC ID	S-LNQW80	

## Features & Specifications

<b>Construction</b>	<ul style="list-style-type: none"> <li>• Die casting aluminum shell provides optimal heat dissipation and high lumen efficacy.</li> <li>• Clear polycarbonate lens over LEDs provides a high light efficacy. Standard 140° beam angle.</li> <li>• CCT and Power Select switches are placed under the top base for better waterproof.</li> <li>• 4' power cable and 4' dimming cable included in all configurations</li> <li>• Integrated photocell receptacle makes for easy plug-and-play installation of smart and non-smart sensors. No wiring required. Photocell are sold separately, see accessories table</li> </ul>
<b>Mounting</b>	<ul style="list-style-type: none"> <li>• Pole Top Mount for 3" Pole.</li> </ul>
<b>Performance Data</b>	<ul style="list-style-type: none"> <li>• Available in 3000K/4000K/5000K selectable color temperature</li> <li>• 70+ CRI</li> <li>• Electrical ratings: 120-347 V</li> <li>• Estimated life of over 50,000 hours to L70</li> <li>• 0-10 V dimming driver. Dimming cables included with this luminaire</li> <li>• 5KV surge protection (standard)</li> <li>• Operating temperature: -40°C to 45°C (-40°F to 113°F)</li> </ul>
<b>Compliances</b>	<ul style="list-style-type: none"> <li>• cULus certified for wet locations</li> <li>• IP65</li> <li>• Meets NEMA 4X</li> <li>• DLC Premium</li> </ul>

## Dimensions & Weights

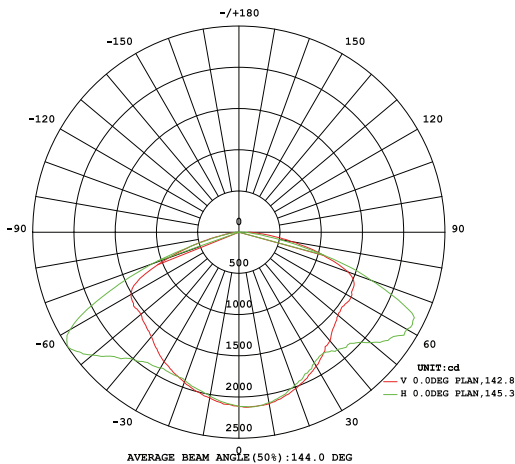
Model	60-100W
Diameter in.(cm)	16.58 (421.2)
Height in. (cm)	19.51 (495.6)
Net weight (lbs)	13.55



### Product Details

- Die-cast aluminum housing
- Each fixture is with Shorting cap and photocell sensor is available if require.
- Polycarbonate lens
- Suitable for 3inch pole
- Both Arms can be adjus ted to 180 degree to save SKUs

### Light Distribution Testing Parameters



Flux out: 17544 lm

Height	Eavg, Emax	Angle: 142.77deg	Diameter
1m	589.6, 4874lx		593.76cm
4m	36.85, 304.6lx		2375.05cm
6m	16.38, 135.4lx		3562.57cm
7m	12.03, 99.46lx		4156.34cm
8m	9.212, 76.15lx		4750.10cm
9m	7.279, 60.17lx		5343.86cm
10m	5.896, 48.74lx		5937.62cm
12m	4.094, 33.85lx		7125.15cm

Note: The Curves indicate the illuminated area and the average illumination when the luminaire is at different distance

### SENSORS

Part Number	Position	Volt (V)	Technology	Operating Frequency	Related Humidity	Rated Loading	Operate Levels(lux)	IP rating	Temperature (°C)
JL-207E	External	105-382V	Photocell	50-60Hz	96%	1800W Tungsten,1800VA Ballast,5A e-Ballast	16Lx On / 24Lx Off Typical	IP65	-40°F~+158°F (-40°C~+70°C)

#### PHOTOCELL:

1. The Photocontrol turn off immediately when first installed.
2. To test turn on during daytime, cover its eye with black tape or other opaque material.
3. Do not cover with finger because light traveling through fingers may be great enough to keep the switch open.
4. Test will take approximately 2 minutes.
5. Do not repeat test for over 4 hours.



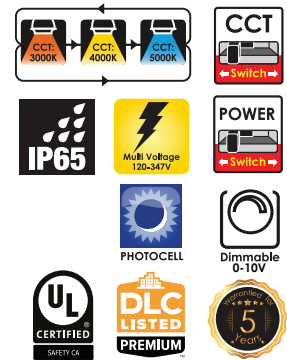
### Accessories (Order Separately)

Order Code	Compatible With
JL-207E	60W 80W 100W



### Lumen Deatils

Model No.:	Watts (W)	3000K		4000K		5000K	
		Lumen Output (LM)	Efficiency (LM/W)	Lumen Output (LM)	Efficiency (LM/W)	Lumen Output (LM)	Efficiency (LM/W)
YR-TP421-W60/80/100-MTCP-P-S-HV(30/40/50K)	60W	7980LM	133	8460LM	141	8220LM	137
	80W	10640LM	133	11360LM	142	11040LM	138
	100W	13300LM	133	14100LM	141	13700LM	137



Data is based upon tests performed in a controlled environment. Actual performance can vary depending on operating conditions. All products are subject to change or may be discontinued any time without notice. Please contact your Votatec customer service representative to confirm inventory levels at time of order

