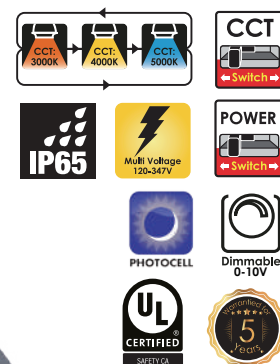


Project : _____
 Type : _____
 Drawn by : _____
 Catalogue No. : _____
 Date : _____



Specifications

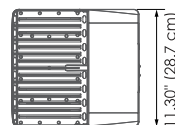
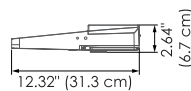
Model No.		<input type="checkbox"/> HD-SB05-150WD-G-T3050-SP	<input type="checkbox"/> HD-SB05-300WD-G-T3050-SP	<input type="checkbox"/> HD-SB05-500WD-G-T3050-SP
General	Watts	80-100-120-150W	150-200-240-300W	240-300-400-500W
	Lumen	12,800-24,000Lm	24,000-48,000Lm	38,400-80,000Lm
	CCT Selectable	3000K-4000K-5000K	3000K-4000K-5000K	3000K-4000K-5000K
	Volts	AC120-347V	AC120-347V	AC120-347V
	CRI	Ra≥80	Ra≥80	Ra≥80
	Beam Angel	143°*145° (T5)	143°*145° (T5)	143°*145° (T5)
	Hours Rated	50,000H (L70B50 @35°C)	50,000H (L70B50 @35°C)	50,000H (L70B50 @35°C)
	Light Efficiency	160lm/W @4000K	160lm/W @4000K	160lm/W @4000K
SDCM	≤6	≤6	≤6	
Electrical	Operating Frequency	50-60Hz	50-60Hz	50-60Hz
	Power Factor	≥0.90	≥0.90	≥0.90
	Surge Protection	Built-in Surge Protection - 4KV	Built-in Surge Protection - 4KV	Built-in Surge Protection - 4KV
	Operating Temperature	-40°C(-40°F) to 45°C(113°F)	-40°C(-40°F) to 45°C(113°F)	-40°C(-40°F) to 45°C(113°F)
Physical	MOL	/	/	/
	MOD	/	/	/
	Lens Material	PC	PC	PC
	Housing Color	Bronze	Bronze	Bronze
	Weight (kg)	2.25kg±0.5	3.21kg±0.5	6.06kg±0.5
Additional Information	Additional Info	CCT+Power adjustable	CCT+Power adjustable	CCT+Power adjustable
	Rated For Enclosed Fixture	No	No	No
	Warranty	5 years	5 years	5 years
Compliance	Safety Listing	cULus-Listed	cULus-Listed	cULus-Listed
	Location Rating	Wet Location	Wet Location	Wet Location
	Energy Star	No	No	No
	DLC Approved	No	No	No
DLC ID	No	No	No	

Features & Specifications

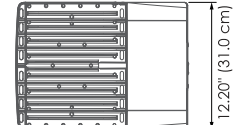
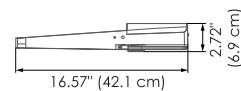
Construction	<ul style="list-style-type: none"> • Pure light aluminum shell provides optimal heat dissipation and high lumen efficacy. • Clear polycarbonate lens over LEDs provides a high light efficacy. 143*145° beam angle.(Type 5) • CCT and Power Select switches are placed discretely inside the driver housing • 6' power cable and 6' dimming cable included in all configurations
Mounting	<ul style="list-style-type: none"> • SF bracket, TR bracket and RS bracket are available. Suitable for different installation scenarios. Can be mounted on round poles, square poles and walls.
Performance Data	<ul style="list-style-type: none"> • Available in 3000K/4000/5000 K selectable color temperature • 80+ CRI • Electrical ratings: 120-347 V • Estimated life of over 100 000 hours to L70 • 0-10 V dimming driver. Dimming cables included with this luminaire • 6kV surge protection (standard) • Operating temperature: -40°C to 45°C (-40°F to 113°F)
Compliances	<ul style="list-style-type: none"> • cULus certified for wet locations • IP65

Dimensions & Weights

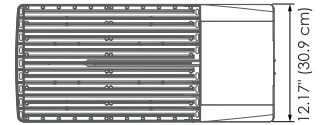
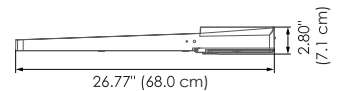
Model	150W	300W	500W
Length in.(cm)	12.32 (31.3)	16.57 (42.1)	26.77 (68.0)
Widths in.(cm)	11.30 (28.7)	12.20 (31.0)	12.17 (30.9)
Height in.(cm)	2.64 (6.7)	2.72 (6.9)	2.80 (7.1)
Net weight (lbs)	5.73	7.08	13.36



150W

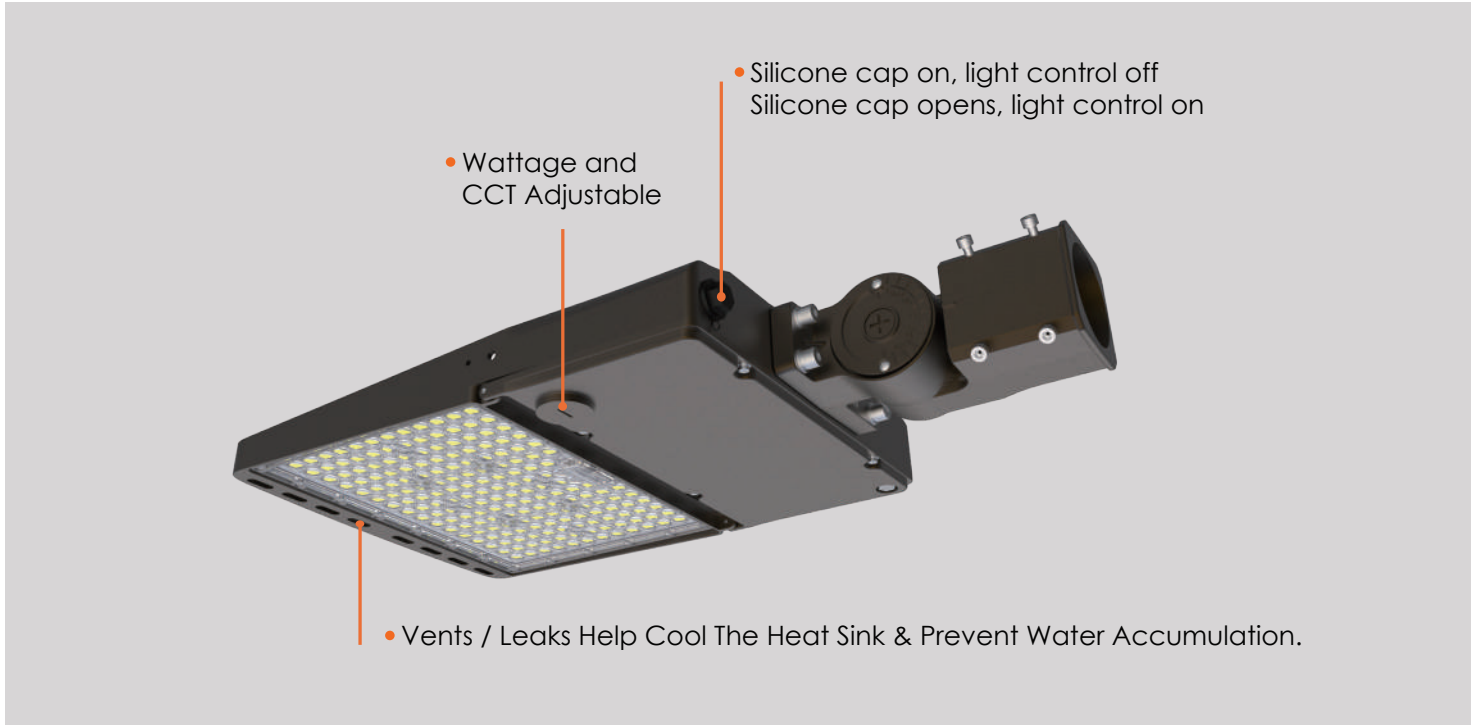


300W



500W

Product Details

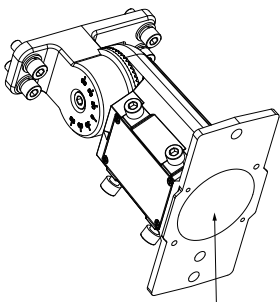
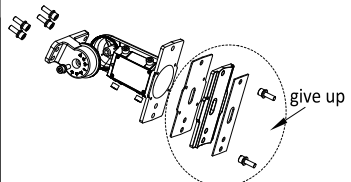
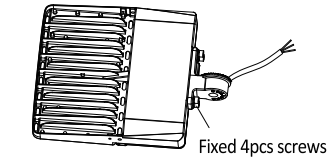
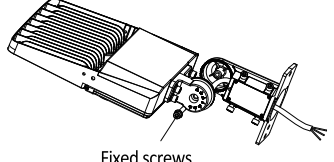
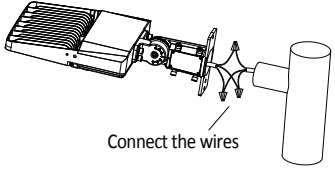
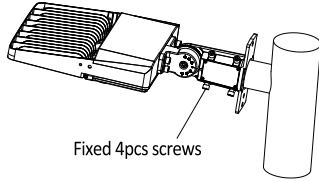
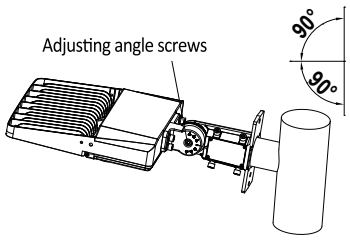
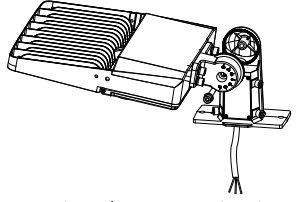
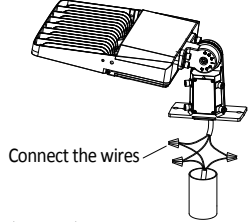
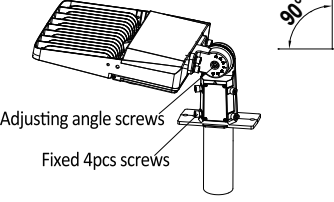


Installation

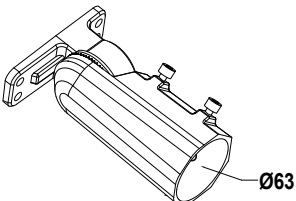
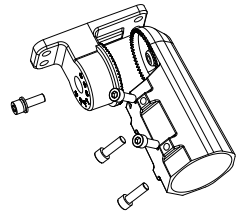
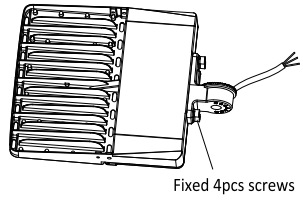
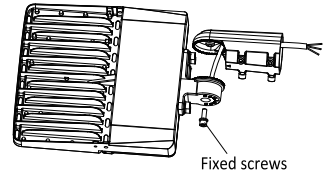
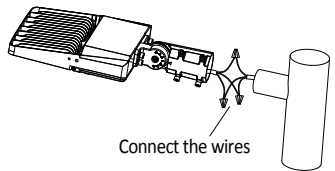
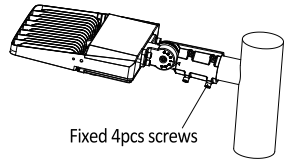
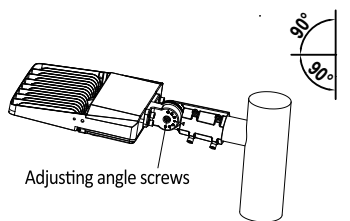
Installation instruction Universal bracket on square/round pole

<p>Unit:mm</p>	<p>1. Split the bracket.</p>	<p>Fixed 4pcs screws</p> <p>2. Insert the AC/Dim wire from the bracket into the base and fix the 4pcs screw on the lamp body.</p>	<p>give up</p> <p>3. Fix iron and Rubber Silicones in the lamppost and lock the screws to half.</p>
	<p>Fixed screws</p> <p>4. Insert the AC/Dim wire into the other part of the bracket, tighten the large screw.</p>	<p>Connect the wires</p> <p>5. Make sure the wiring is correct according to the wiring diagram. (L/N/G/ Dim+/Dim-(If have)</p>	<p>Fixed 4pcs screws</p> <p>90°</p> <p>90°</p> <p>6. Put the wire into the support chamber and lock the cover. Adjust to the required angle through large screws.</p>

Installation instruction Universal bracket on tennon bracket

 <p style="text-align: center;">Ø63</p> <p style="text-align: center;">Unit:mm</p>	 <p>1. Split the bracket.</p>	 <p>Fixed 4pcs screws</p> <p>2. Insert the AC/Dim wire from the bracket into the base and fix the 4pcs screw on the lamp body.</p>	 <p>Fixed screws</p> <p>3. Insert the AC/Dim wire into the other part of the bracket, tighten the large screw.</p>
	 <p>Connect the wires</p> <p>4a. Make sure the wiring is correct according to the wiring diagram.(L/N/G/ Dim+/Dim-(If have)</p>	 <p>Fixed 4pcs screws</p> <p>5a. Install the lamp post and tighten the 4pcs M8 screw.</p>	 <p>Adjusting angle screws</p> <p>90° 90°</p> <p>6a. Unscrew the screws to adjust desired angle if needs.</p>
	 <p>4b. Insert the AC/Dim wire into the other part of the bracket, tighten the large screw.</p>	 <p>Connect the wires</p> <p>5b. Make sure the wiring is correct according to the wiring diagram.(L/N/G/ Dim+/Dim-(If have)</p>	 <p>Adjusting angle screws</p> <p>Fixed 4pcs screws</p> <p>90°</p> <p>6b. Install the lamp post and tighten the 4pcs M8 screw. Unscrew the screws to adjust desired angle if needs.</p>

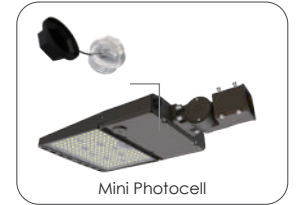
Installation instruction Slip-fitter bracket

 <p style="text-align: center;">Ø63</p> <p style="text-align: center;">Unit:mm</p>	 <p>1. Split the bracket.</p>	 <p>Fixed 4pcs screws</p> <p>2. Insert the AC/Dim Wire from the bracket into the base and fix the 4pcs screw on the lamp body.</p>	 <p>Fixed screws</p> <p>3. Insert the AC/Dim Wire into the other part of the bracket, and tighten the large screw.</p>
	 <p>Connect the wires</p> <p>4. Make sure the wiring is correct according to the wiring diagram. (L/N/G/ Dim+/Dim-(If have)</p>	 <p>Fixed 4pcs screws</p> <p>5. Install the lamp post and tighten the 4pcs M8 screw.</p>	 <p>Adjusting angle screws</p> <p>90° 90°</p> <p>6. Adjust to the required angle through large screws.</p>

Mini Photocell

Part Number	Test Environment	Start-up delay(S)	Off delay(S)	Startup illuminance value(Lux)	Off illuminance value(Lux)	Environment Temperature	Humidity	Precautions
Mini Photocell	Natural light	≤3S	≤3S	≤80	≥150	-40°C~+60°C	99%RH	When installing and using, the sensor head should face upwards to ensure good light transmission.

The preset delay time of ≤3 seconds can avoid misoperation at night due to spotlight or strike.



Accessories (Order Separately)

Order Code	Compatible With
SF bracket 150/300	HD-SB05-150WD-G-T3050-SP HD-SB05-300WD-G-T3050-SP
SF bracket 500	HD-SB05-500WD-G-T3050-SP
TR bracket	HD-SB05-150WD-G-T3050-SP HD-SB05-300WD-G-T3050-SP HD-SB05-500WD-G-T3050-SP
RS bracket 150/300	HD-SB05-150WD-G-T3050-SP HD-SB05-300WD-G-T3050-SP
RS bracket 500	HD-SB05-500WD-G-T3050-SP



SF Bracket



TR Bracket



RS Bracket

Lumen Details

Model No.:	Watts (W)	3500K		4000K		5000K	
		Lumen Output (LM)	Efficiency (LM/W)	Lumen Output (LM)	Efficiency (LM/W)	Lumen Output (LM)	Efficiency (LM/W)
HD-SB05-150WD-G-T3050-SP	80W	10720LM	134	12640LM	158	11360LM	142
	100W	13400LM	134	15800LM	158	14200LM	142
	120W	16080LM	134	18960LM	158	17040LM	142
	150W	20100LM	134	23700LM	158	21300LM	142
HD-SB05-300WD-G-T3050-SP	150W	20100LM	134	23700LM	158	21300LM	142
	200W	26800LM	134	31600LM	158	28400LM	142
	240W	32160LM	134	37920LM	158	34080LM	142
	300W	40200LM	134	47400LM	158	42600LM	142
HD-SB05-500WD-G-T3050-SP	240W	32160LM	134	37920LM	158	34080LM	142
	300W	40200LM	134	47400LM	158	42600LM	142
	400W	53600LM	134	63200LM	158	56800LM	142
	500W	67000LM	134	79000LM	158	71000LM	142



Data is based upon tests performed in a controlled environment. Actual performance can vary depending on operating conditions. All products are subject to change or may be discontinued any time without notice. Please contact your Votatec customer service representative to confirm inventory levels at time of order

