

Canopy Parking LED



Technical Specifications

	Model No.:	AST-PG06-60WBSPI SC1-BR50	AST-PG06-75WJSP1DC1-BRWe	AST-PG06-60WJSP1DC1-BRWe	AST-PG06-60WJSP1DC1-WHWe
OPTICAL	Input power	60W	75W/60W/50W Adjustable	40W/50W/60W Adjustable	
	Lumen	7800-8100LM	9750-10125LM	7200-8700LM	
	Lumen Efficiency	120-145LM/W			
	CCT	5000K	3000K/4000K/5000K Adjustable	3000K/4000K/5000K Adjustable	
	CRI	>80			
	Viewing Angle	160 Degree			
ELECTRICAL	Input Voltage	120-347 V			
	PF	>0.9			
	THD	<%20			
	Driver Brand	Becky			
MATERIALS	LED Type	SMD2835	SMD3030	SMD3030	
	LED QTY	77PCS	196PCS	77PCS 3000K + 77 PCS 5000K	
	Housing	Aluminium Alloy			
	Housing Color	Bronze		White	
	Cover	Stripe Lens			
	Waterproof Rating	We† IP65			
IK Rating	IK 10				
OTHERS	Operating Temperature	-30 °C To 45 °C			
	Operating Humidity	%10-%90 RH			
	Storage Temperature	-40 °C To 85 °C			
	Storage Humidity	%10-%95 RH			
	Warranty Time	5 years			

Canopy Parking LED

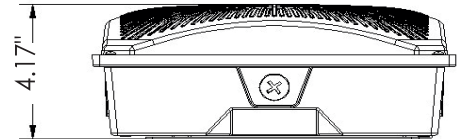
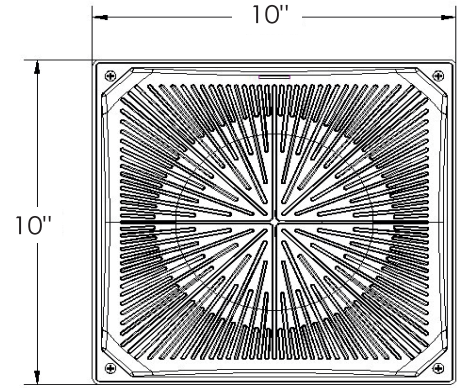
Advantage

- UL cUL certificate.
- Bridgelux Chip, High CRI.
- IP65 Internal driver, Input voltage 120-347Vac
- No UV or IR in the beam.
- Easy to install and operate.
- Energy saving, Long lifespan.
- Light is soft and uniform, Safe to eyes.
Instant start, NO flickering, NO humming.
- Green and eco-friendly without mercury.
- Color Adjustable. 0-10 V Dimming.

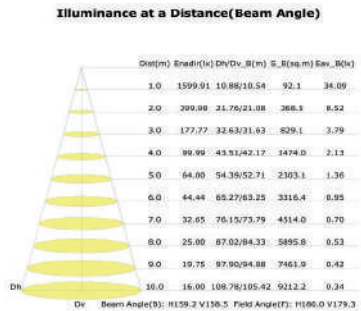
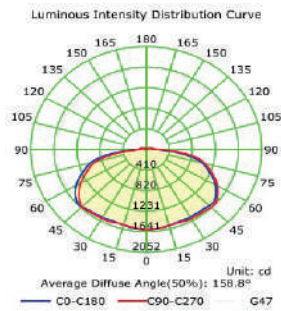
Application

Widely used in gas station, service station, underground parking lot, warehouse, garage; Work floor, factory and so on.

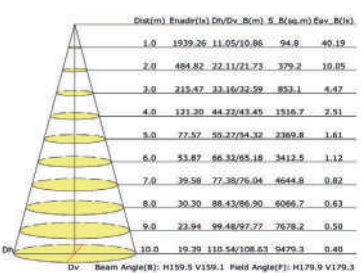
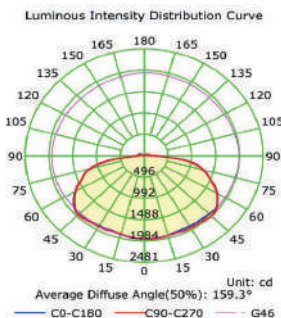
Dimensions



Light Distribution Testing Parameters



60W



75W

