

Project : \_\_\_\_\_  
 Type : \_\_\_\_\_  
 Drawn by : \_\_\_\_\_  
 Catalogue No. : \_\_\_\_\_  
 Date : \_\_\_\_\_



## Specifications

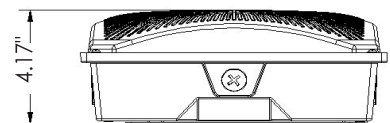
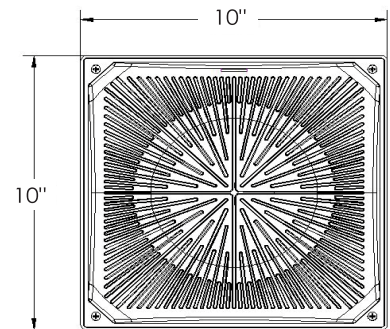
Model No.		□ AST-PG06-75WJSP1DC1-BRW30/40/50
General	Watt	75W/60W/50W ADJ
	HID Equivalent	220W
	Lumen	10125L/8100L/6750L
	CCT	3000K/4000K/5000K ADJ
	Volts	AC 120-347V
	CRI	>80
	Beam Angel	160°
	Hours Rated	50000hours
Electrical	Operating Frequency	50-60Hz
	Power Factor	>0.9
	Surge Protection	Built-in surge protection-4KV
	Operating Temperature	-30C(-22F) TO 45C(113F)
Physical	Size	10*10*4.17"
	Lens Material	PC
	Housing Color	Bronze
	Weight (Lbs)	7.6
Additional Information	Additional Info	CCT+Power adjustable
	Warranty	5 years
	Safety Listing	cULus-listed
Compliance	Location Rating	Wet
	Energy Star	No
	DLC Approved	Yes
	DLC ID	S-0ZJSKG

## Features & Specifications

<b>Construction</b>	<ul style="list-style-type: none"> <li>• Die-casting aluminum material provides optimal heat dissipation.</li> <li>• Standard 160°wide beam angle</li> <li>• CCT and Power adjustable</li> </ul>
<b>Mounting</b>	<ul style="list-style-type: none"> <li>• Default surface mount</li> </ul>
<b>Performance Data</b>	<ul style="list-style-type: none"> <li>• Available in 3000K/4000K/5000K selectable</li> <li>• 80+ CRI</li> <li>• Electrical ratings: 120-347 VAC</li> <li>• Estimated life of over 100 000 hours to L70</li> <li>• 0-10 V dimming driver.</li> </ul>
<b>Compliances</b>	<ul style="list-style-type: none"> <li>• cULus certified for wet locations</li> <li>• IP65</li> <li>• DLC Premium</li> </ul>

## Dimensions & Weights

<b>Model No.</b>	<b>AST-PG06-75WJSP1DC1-BRW30/40/50</b>
Size	10*10*4.17"
Weight (lbs)	7.6



### Product Details



### Lumen Details

Model No.:	Watt	3000K	4000K	5000K
AST-PG06-75WJSP1DC1-BRW30/40/50	75W	9375LM	10500LM	10125LM
	60W	7500LM	8400LM	8100LM
	50W	6250LM	7000LM	6750LM



Data is based upon tests performed in a controlled environment. Actual performance can vary depending on operating conditions. All products are subject to change or may be discontinued any time without notice. Please contact your Votatec customer service representative to confirm inventory levels at time of order

